

Smart Scheduler

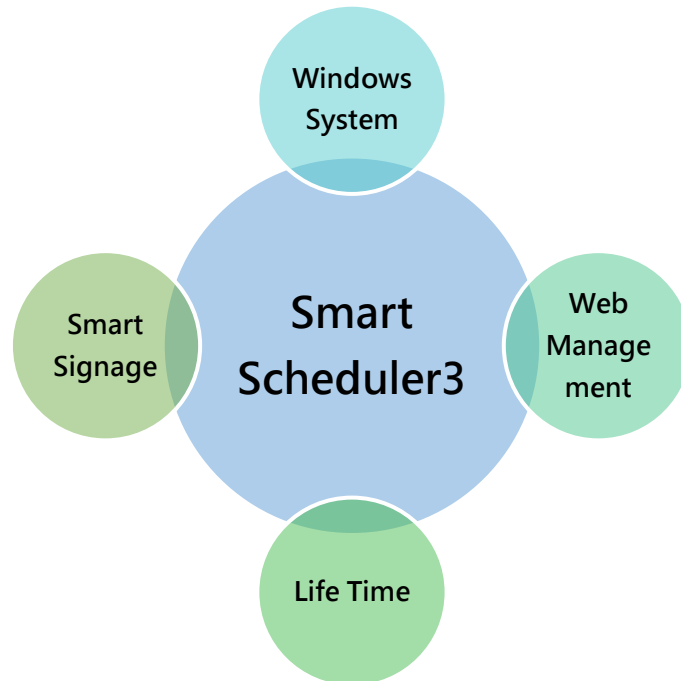
55 inch AIO

Windows Digital Signage



Introduction

Powerful functionality / multi-purpose / fast editing / easy to use / remote management / message push / on-site display / online and offline / offline playback / digital intelligence / content commissioning / annual subscription package.



Windows System

- ✓ Built-in genuine Windows 10 Pro

Dual-Core High-Performance Processor

- ✓ Celeron J6412, 4-core, 4-thread
- ✓ 8G RAM, 128GB Memory



55 inch Large Screen

- ✓ Professional commercial display screen, durable and high brightness, not a regular TV display.
- ✓ 55-inch large screen with a brightness of 500cd/m² and an IPS LCD panel, delivers fine and clear images at all angles, with low power consumption LED technology.



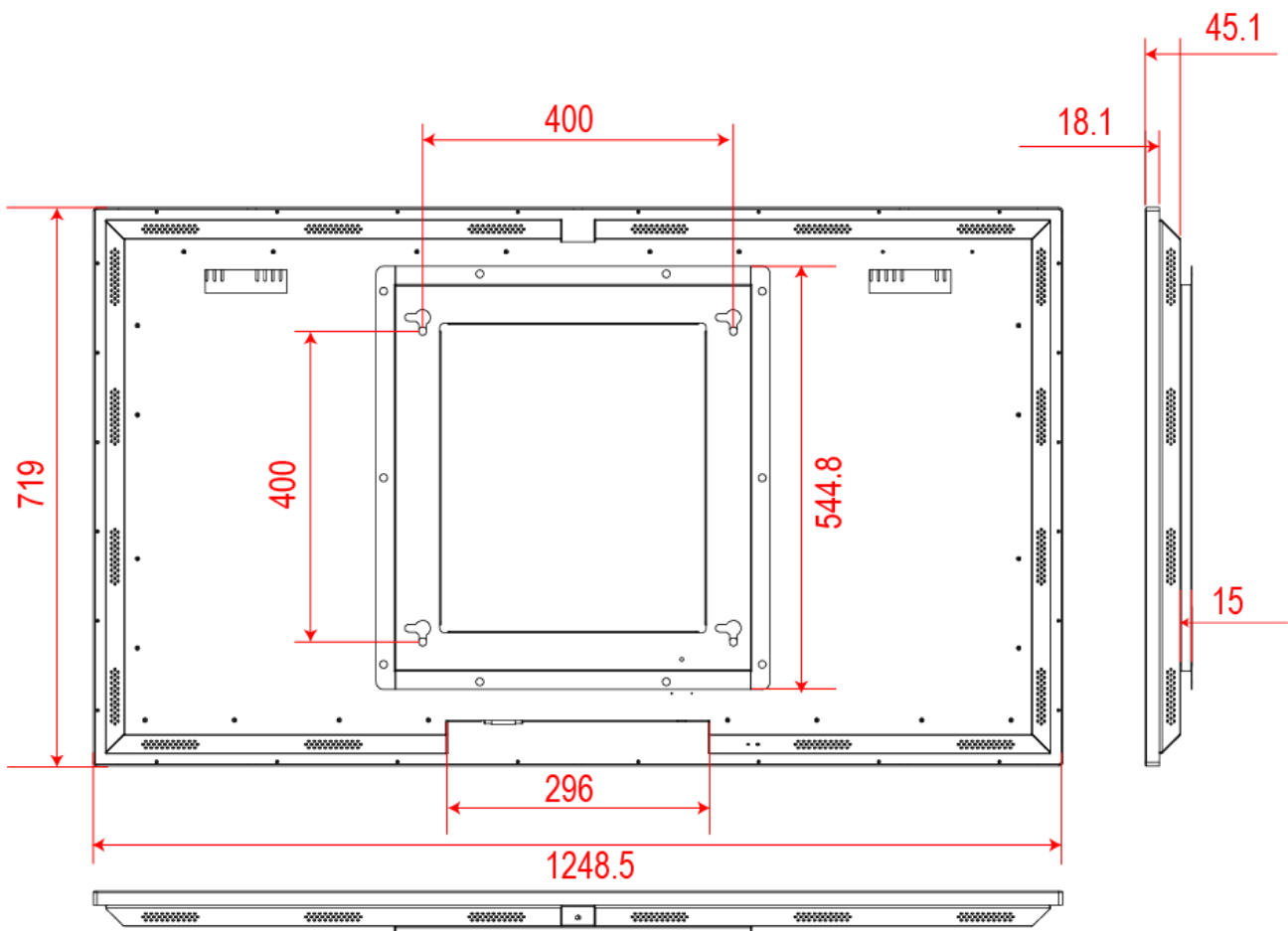
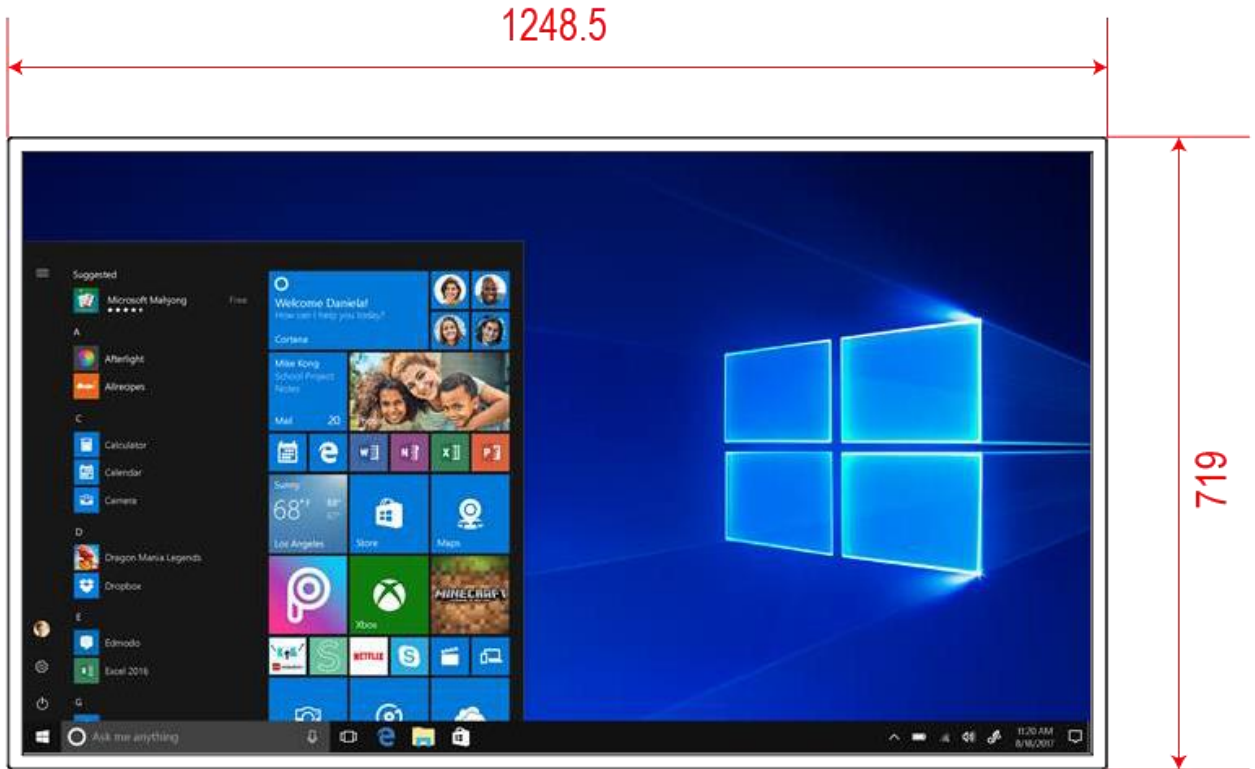
Beautiful Appearance

- ✓ Full surface ultra-white tempered glass. Aluminum alloy frame with brushed finish.

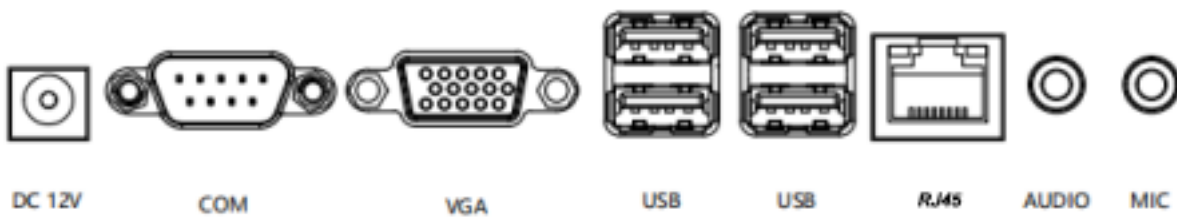
Specification

Model		NC-A24D-55
Screen	Size	55 inch
	Viewing Size	1209.6 X 680.4 mm
	Brightness	500 cd/m ²
	Backlight	WLED
	Aspect Ratio	16:9
	Resolution	1920 X 1080
	Contrast	1200:1
	View Angle	Full Angle 178°
	Color	16.7M, 70% NTSC
Operating System	Processor	Celeron J6412
	Graphics Card	Built-in
	RAM	8GB
	Storage	128GB
	OS	Windows 10 Pro
Speaker	Built-in 8Ω 5W X2	
Network	Wired / Wireless 802.11b/g/n	
Ports	DC*1 / USB*4 / RJ45 / VGA*1 / COM *1 / AUDIO *1 / MIC *1	
Power	AC 110V~240V <139W	
Product Size	1248.5 x 719 x 45.1mm	
Packaging Size	1320 x 105 x 800 mm	
Net Weight	25KG	
Gross Weight	32KG	
Protection Glass	4mm Fully Tempered Glass	
Working Temperature	0°C~50°C	
Working Humidity	30%~70	
Storage Temperature	-20°C ~ -60°C	
Storage Humidity	30%~70%	

Size (mm)



Ports

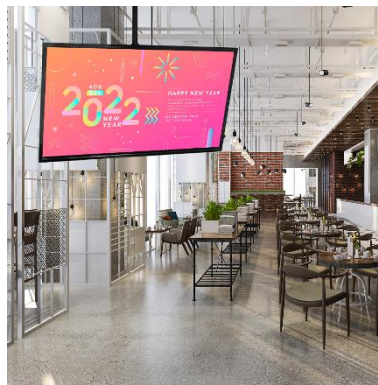


Installation

(Choose 1, installation and construction are not included.)



Wall Mounted



Ceiling Hanging



Mobile Display Stand

Package Contents:

Including the software – SmartScheduler3, Nugens MK-N1 Air Mouse, Nugens NuRemoteApp for Mobile Control, VCP1 Webcam.



We welcome inquiries and cooperation from decoration companies, designers, dealers, and system integrators.



u-Smart Group



Nugens Technology

<https://mysmartscheduler.com/>

sales@nugestech.com